

HX08 Mini Excavator



We are the factory direct

Powerful engines and perfectly matched hydraulics make tough jobs more efficient



PRODUCT PARAMETERS

Machine Weight	800kg	Crawler Width	180 mm
Bucket Capacity	0.02m ³	Maximum Digging Height	2550 mm
Engine Power	8.6kw	Maximum Digging Depth	1500 mm
Climbing Gradient	30°	Maximum Digging Radius	3300 mm
Total Length	2770 mm	Minimum Turning Radius	2770 mm
Total Width	850 mm	Maximum ground level digging reach	2850 mm
Total Height	1450 mm	Crawler Length	1230 mm

CUSTOMIZED BODY COLOR SUPPORT



HX10 Mini Excavator



We are the factory direct

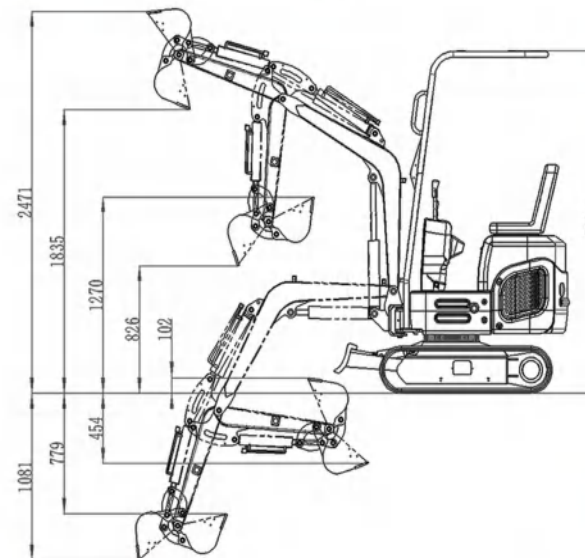
Powerful engines and perfectly matched hydraulics make tough jobs more efficient



PRODUCT PARAMETERS

Model	HX10	Crawler Width	180 mm
Bucket Capacity	0.025m ³	Maximum Digging Height	2490 mm
Engine Power	7.6kw	Maximum Digging Depth	1650 mm
Climbing Gradient	30°	Max. Digging Distance	1750 mm
Total Length	2650 mm	Max. Ground Digging Distance	2400 mm
Total Width	880 mm	Min turning radius	1190 mm
Total Height	1330 mm	Crawler Length	1090 mm

CUSTOMIZED BODY COLOR SUPPORT



HX15 Mini Excavator



We are the factory direct

Powerful engines and perfectly matched hydraulics make tough jobs more efficient



PRODUCT PARAMETERS

Model	HX15	Crawler Width	180 mm
Bucket Capacity	0.025m ³	Maximum Digging Height	2500 mm
Engine Power	12kw	Maximum Digging Depth	1650 mm
Climbing Gradient	30°	Maximum Dumping Height	1850 mm
Total Length	2650 mm	Minimum Turning Radius	1550 mm
Total Width	980 mm	Total Height	1330 mm
Platform Turning Radius	770 mm	Crawler Length	1250 mm

CUSTOMIZED BODY COLOR SUPPORT



HX15T Mini Excavator



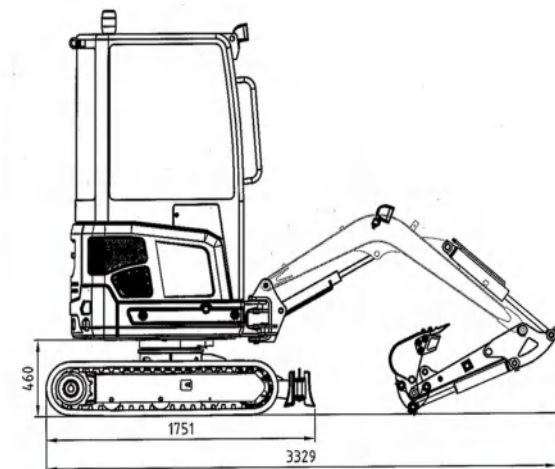
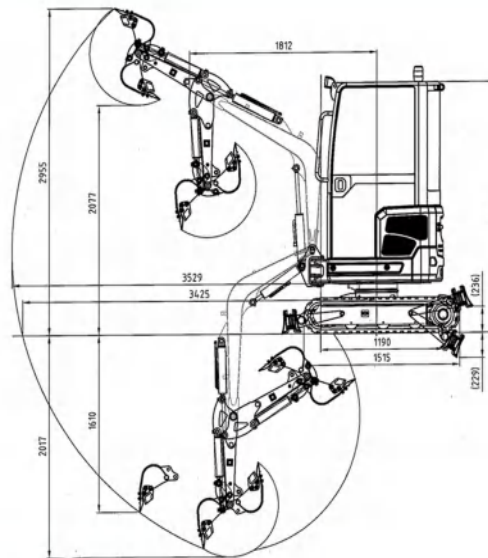
We are the factory direct

Powerful engines and perfectly matched hydraulics make tough jobs more efficient



PRODUCT PARAMETERS

Model	HX15T	Maximum Dumping Height	2385 mm
Bucket Capacity	0.025m ³	Maximum Dumping Height	1550 mm
Engine	Kubota D722	Maximum Digging Depth	2050 mm
Engine Power	10.4kW/2500rpm	Maximum Digging Radius	3529 mm
Maximum Torque	45Nm/2500rpm	Swing Radius at Tail	655 mm
Total Width	990 mm	Swing Radius at Front	1812 mm
Total Height	2200 mm	Boom Swing angle(Left)	50°
Total Length	3329 mm	Boom Swing angle(Right)	52°
Maximum Digging Height	2955 mm	Ground Touch Pressure	23KPA



HX18T Mini Excavator

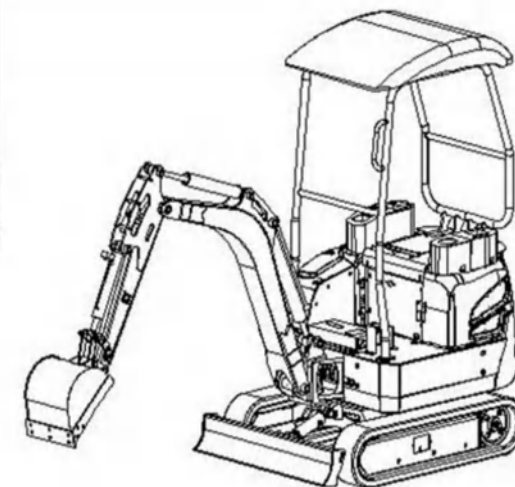
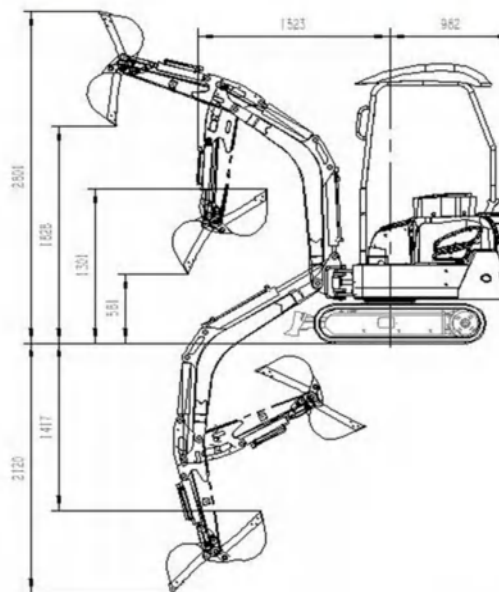
We are the factory direct

Powerful engines and perfectly matched hydraulics make tough jobs more efficient

HIXEN | PRODUCT PARAMETERS

Model	HX18T	Maximum Digging Height	2700 mm
Bucket Capacity	0.04m ³	Maximum Dumping Height	1550 mm
Engine	Kubota D722/Laidong 385	Maximum Digging Depth	2100 mm
Machine Weight	1460Kg	Maximum Digging Radius	2990 mm
Total Length	3100 mm	Minimum Clearance to Ground	155 mm
Total Width	1100 mm	Turning Radius	980 mm
Total Height	2300 mm	Swing Angle	360°
Crawler Length	1370 mm	Crawler Width	180 mm

CUSTOMIZED BODY COLOR SUPPORT

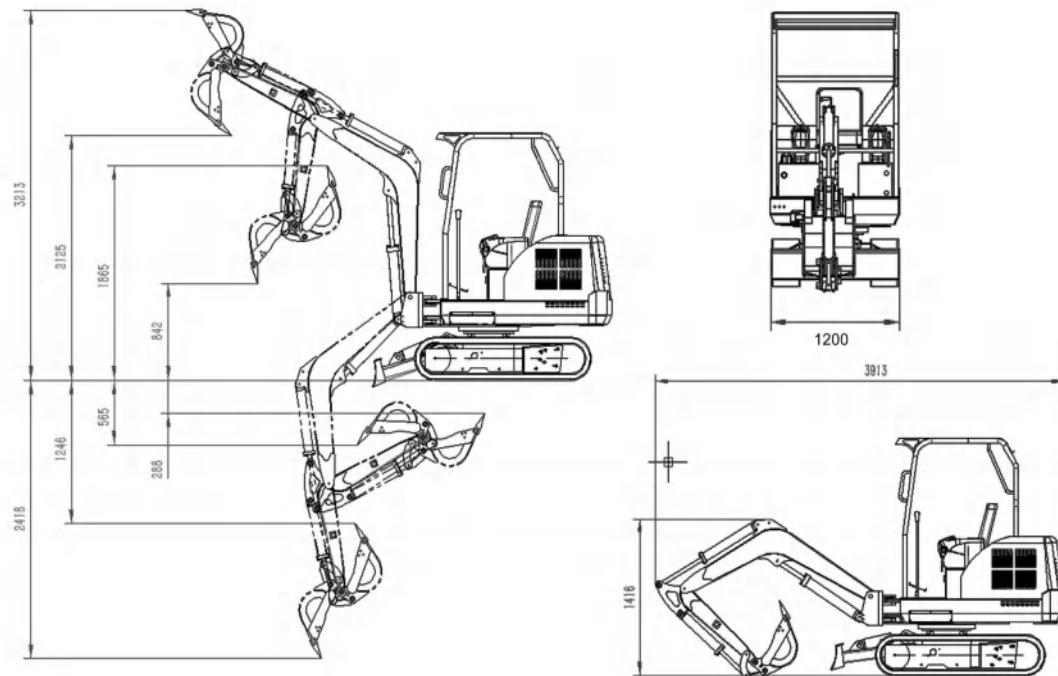


HX20 Mini Excavator



We are the factory direct

Powerful engines and perfectly matched hydraulics make tough jobs more efficient



PRODUCT PARAMETERS

Model	HX20	Turning Radius	1200 mm
Bucket Capacity	0.06m ³	Crawler Length	1900 mm
Engine	Laidong, Changchai Yanmar, Kubota	Crawler Width	230 mm
Pump	18 Mpa, 2500rpm	Body Width	1060 mm
Walking Speed	2.5 Km/h	Maximum digging height	3365 mm
Rotation Speed	10r/min	Maximum dumping height	2385 mm
Total Length	3600 mm	Maximum digging depth	2050 mm
Total Width	1060 mm	Maximum digging radius	3860 mm
Total height	2200 mm	Swing angle	360°



HX20T Mini Excavator



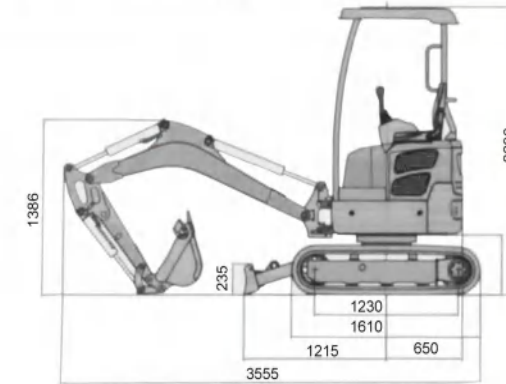
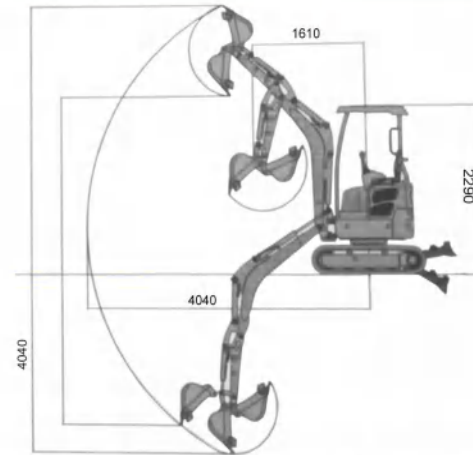
We are the factory direct

Powerful engines and perfectly matched hydraulics make tough jobs more efficient



PRODUCT PARAMETERS

Model	HX20T	Min.Ground clearance	150 mm
Bucket Capacity	0.07m³	Swing radius at tail	650 mm
Engine	Kubota D1105	Maximum Digging Height	3700 mm
Maximum Travel Speed	2.5/3.5km/h	Maximum Dumping Height	2440 mm
Width of track shoe	230 mm	Maximum Digging Depth	2400 mm
Total Width	1300 mm	Maximum Digging radius	4040 mm
Total Height	2290 mm	Minimum Swing Radius	1610 mm
Total Length	3555 mm	Boom Swing angle(Left)	75°
Track gauge	760 mm	Boom Swing angle(Right)	45°

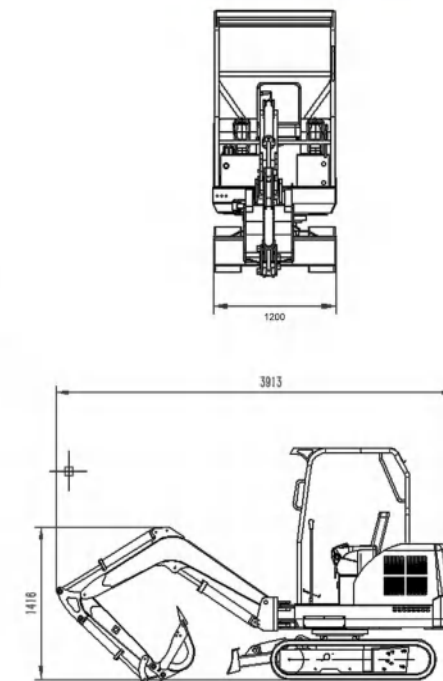
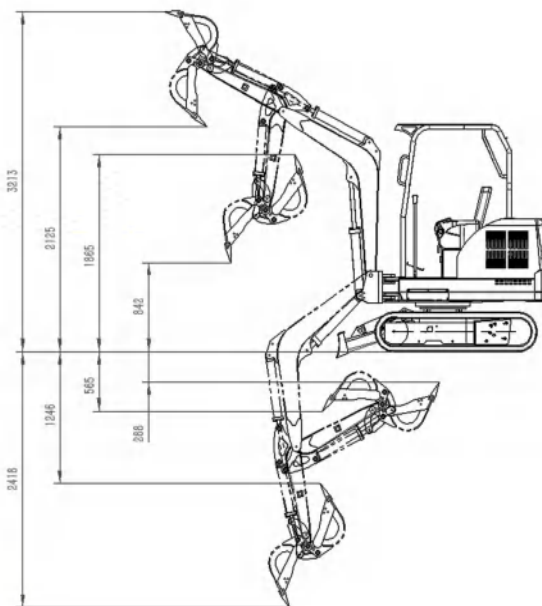


HX22 Mini Excavator



We are the factory direct

Powerful engines and perfectly matched hydraulics make tough jobs more efficient



PRODUCT PARAMETERS

Model	HX22	Turning Radius	1270 mm
Bucket Capacity	0.06m ³	Crawler Length	1900 mm
Engine	Laidong, Changchai Yanmar, Kubota	Crawler Width	230 mm
Pump	18 Mpa, 2500rpm	Body Width	1060 mm
Walking Speed	2.5 Km/h	Maximum digging height	3550 mm
Rotation Speed	10r/min	Maximum dumping height	2450 mm
Total Length	3850 mm	Maximum digging depth	2240 mm
Total Width	1200 mm	Maximum digging radius	4050 mm
Total height	2200 mm	Swing angle	360°



HX25 Mini Excavator



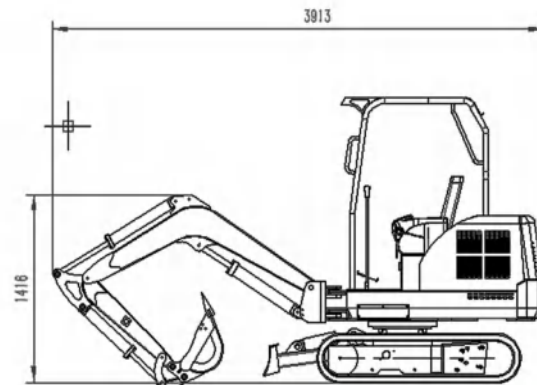
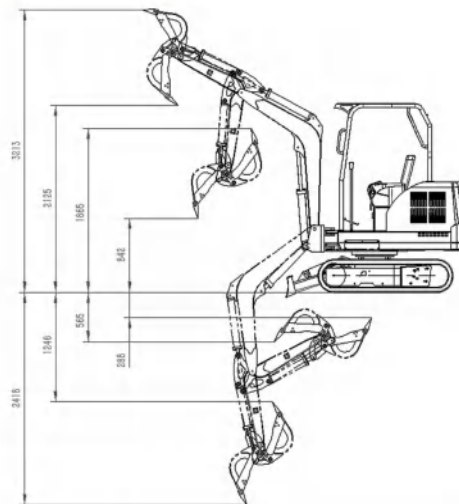
We are the factory direct

Powerful engines and perfectly matched hydraulics make tough jobs more efficient



PRODUCT PARAMETERS

Model	HX25	Turning Radius	1270 mm
Bucket Capacity	0.08m ³	Crawler Length	1900 mm
Engine	Laidong, Changchai Yanmar, Kubota	Crawler Width	230 mm
Climbing Gradient	30°	Body Width	1060 mm
Walking Speed	2.6 Km/h	Maximum digging height	3710 mm
Rotation Speed	10r/min	Maximum dumping height	2480 mm
Total Length	4080 mm	Maximum digging depth	2250 mm
Total Width	1350 mm	Maximum digging radius	4020 mm
Total height	2200 mm	Swing angle	360°



HX25T Mini Excavator



We are the factory direct

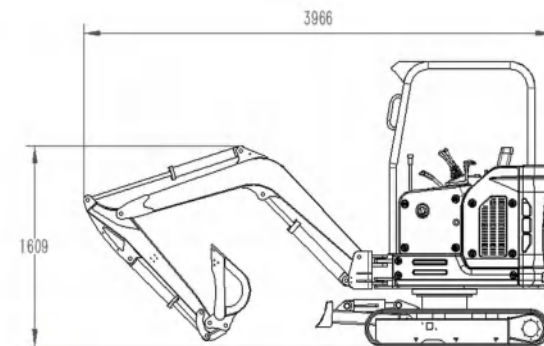
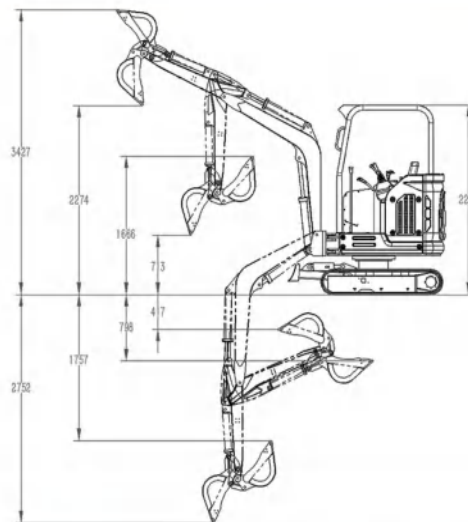
Powerful engines and perfectly matched hydraulics make tough jobs more efficient



PRODUCT PARAMETERS

Model	HX25T	Crawler Width	230 mm
Bucket Capacity	0.07m ³	Minimum clearance to ground	200 mm
Engine	Changchai390/Kubota	Maximum digging height	3427 mm
Power/revolution speed	25kw/2400rpm	Maximum digging depth	2752 mm
Walking Speed	3.4 Km/h	Body rotate angle	360°
Body Weight	2160 KG	Climbing gradient	30°
Total Length	3966 mm	Boom swing angle (left)	45°
Total Width	1350 mm	Total height	2280 mm

CUSTOMIZED BODY COLOR SUPPORT



HX26 Mini Excavator



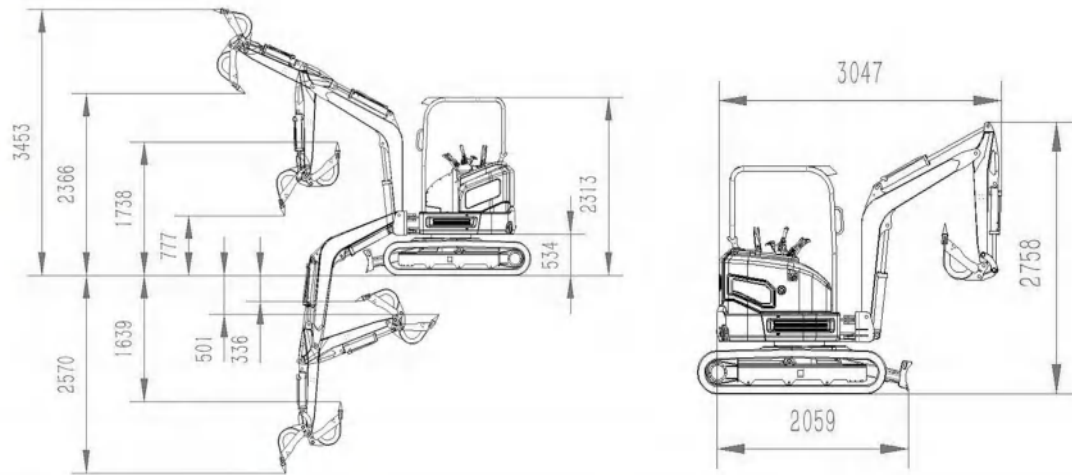
We are the factory direct

Powerful engines and perfectly matched hydraulics make tough jobs more efficient

HIXEN | PRODUCT PARAMETERS

Model	HX26	Wheel base	1560 mm
Bucket Capacity	0.075m ³	Left and right track gauge	1200 mm
Engine	Changchai 390	Boom deflection	45° (left)
Power/revolution speed	20Kw / 2200rpm	Boom deflection	55° (right)
Total length	3074 mm	Tail swinging radius	936 mm
Total Width	1500 mm	Ground clearance	230 mm
Total height	2313 mm	Overall Weight	2416 kg
Hydraulic system pressure	18 Mpa	Bucket digging force	19.5 KN

CUSTOMIZED BODY COLOR SUPPORT



HX30 Mini Excavator



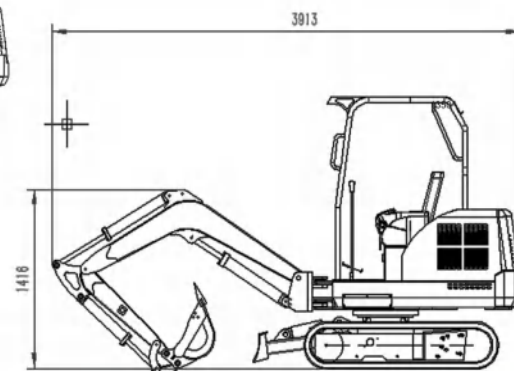
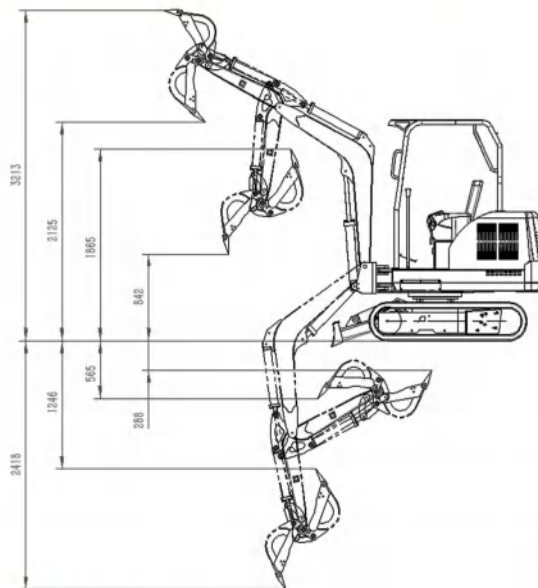
We are the factory direct

Powerful engines and perfectly matched hydraulics make tough jobs more efficient



PRODUCT PARAMETERS

Model	HX30	Total height	2200 mm
Bucket Capacity	0.1m ³	Crawler Length	2000 mm
Engine	Laidong, Changchai Yanmar, Kubota	Crawler Width	230 mm
Climbing Gradient	30°	Body Width	1350 mm
Walking Speed	2.7 Km/h	Maximum digging height	3900 mm
Rotation Speed	10r/min	Maximum dumping height	2600 mm
Total Length	4180 mm	Maximum digging depth	2500 mm
Total Width	1350 mm	Maximum digging radius	4040 mm



HX35

Mini Excavator

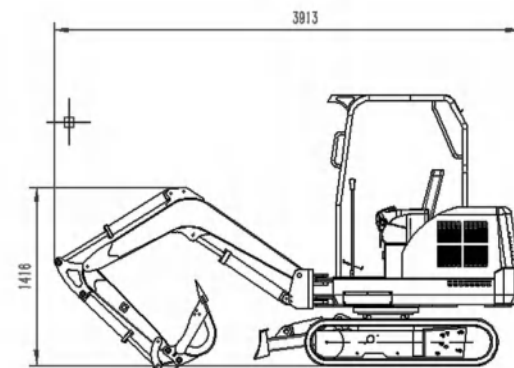
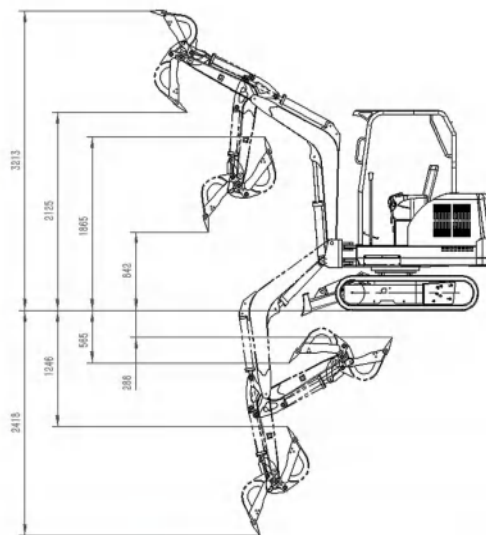


We are the factory direct

Powerful engines and perfectly matched hydraulics make tough jobs more efficient

HIXEN | PRODUCT PARAMETERS

Model	HX35	Total height	2200 mm
Bucket Capacity	0.1m ³	Crawler Length	2300 mm
Engine	Xinchai、Changchai Kubota	Crawler Width	250 mm
Climbing Gradient	30°	Body Width	1500 mm
Walking Speed	2.7 Km/h	Maximum digging height	3900 mm
Rotation Speed	10r/min	Maximum dumping height	2600 mm
Total Length	4180 mm	Maximum digging depth	2500 mm
Total Width	1500 mm	Maximum digging radius	4040 mm



HX40 Mini Excavator



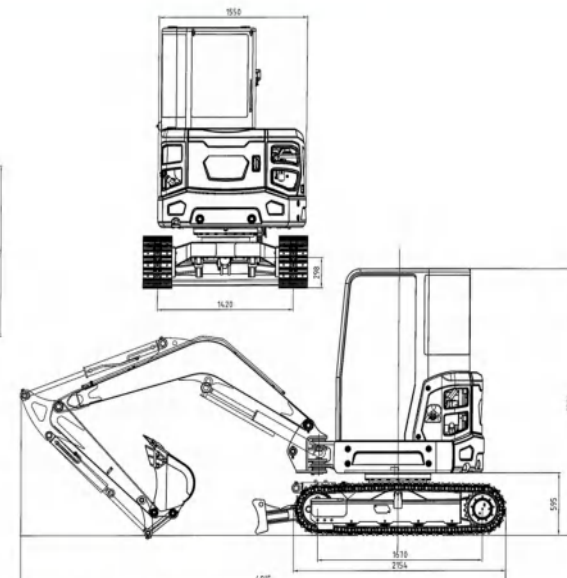
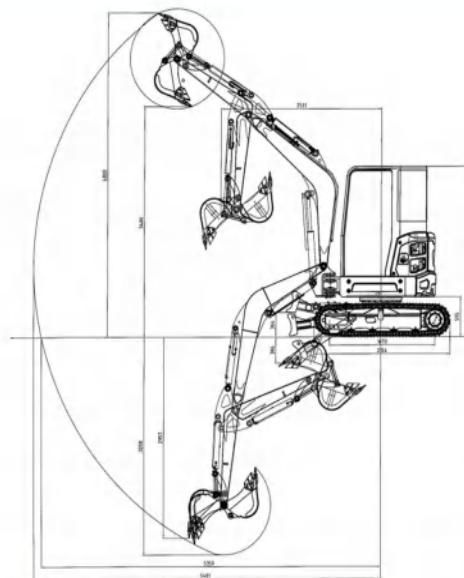
We are the factory direct

Powerful engines and perfectly matched hydraulics make tough jobs more efficient



PRODUCT PARAMETERS

Model	HX40	Engine Model	KubotaD1703
Maximum Digging height	4800 mm	Engine Power	18.5kw25HP@2200rpm
Maximum Dumping height	3406 mm	Number of cylinder	3
Maximum Digging depth	3208 mm	Max.torque	97.4Nm/1500rpm
Maximum Vertical digging depth	2957 mm	Displacement	1.642L
Maximum Digging distance	5480 mm	Maximum Travel speed	4.4/2.4km/h
Minimum swing radius	2530 mm	Width of steel track shoe	300 mm
Total Width	3655 mm	Overall Dimensions	4915*1720*2525mm
Swing speed	12 rpm	Track gauge	1420mm



HX65 MIDI Excavator



We are the factory direct

Powerful engines and perfectly matched hydraulics make tough jobs more efficient



PRODUCT PARAMETERS

Model	HX65	Max. dumping height	3845 mm
Bucket Capacity	0.21m ³	Max. digging depth	3808 mm
Rotation Speed	0-11rpm	Vertical digging depth	2983 mm
Max. Climbing	35°	Max. digging radius	6128 mm
Bucket Max. digging force	48 KN	Min. turning radius	2607 mm
Rod Max. Digging force	35 KN	Cabin height	2570 mm
Engine Model	Kubota V2607	Wheel base	1990 mm
System Pressure	28 MPA	Wheel track	1480 mm
Max. digging height	5499 mm	Tail turning radius	1689 mm



HX75 MIDI Excavator



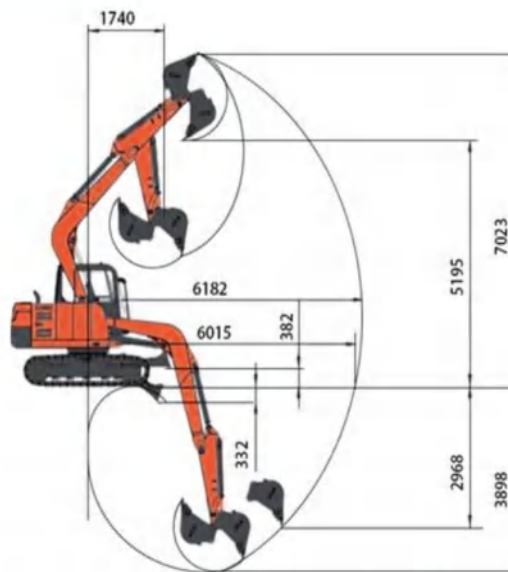
We are the factory direct

Powerful engines and perfectly matched hydraulics make tough jobs more efficient



PRODUCT PARAMETERS

Model	HX75	Max. dumping height	5195 mm
Bucket Capacity	0.28m ³	Max. digging depth	3898 mm
Rotation Speed	0-11rpm	Vertical digging depth	2968 mm
Max. Climbing	35°	Max. digging radius	6182 mm
Bucket Max. digging force	56 KN	Min. turning radius	1740 mm
Rod Max. Digging force	38 KN	Cabin height	2672 mm
Engine Model	Kubota V2607	Wheel base	2209 mm
System Pressure	27 MPA	Wheel track	1745 mm
Max. digging height	7023 mm	Tail turning radius	1730 mm





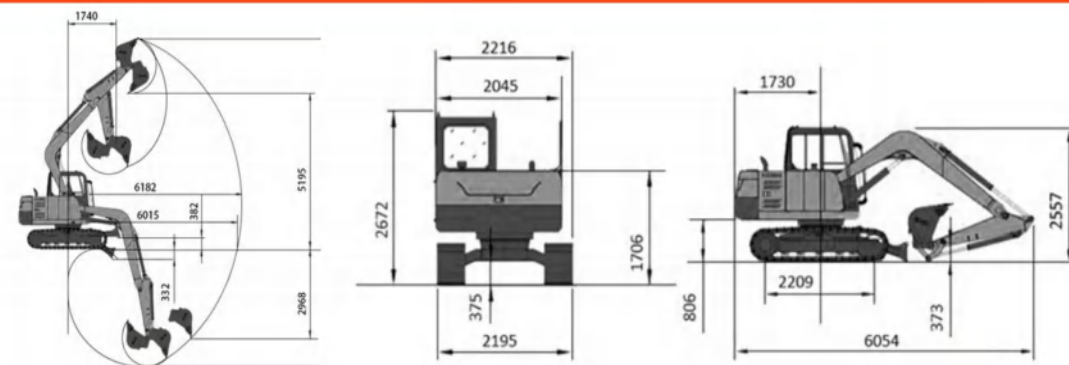
We are the factory direct

Powerful engines and perfectly matched hydraulics make tough jobs more efficient



PRODUCT PARAMETERS

Model	HX90	Max. dumping height	5188 mm
Bucket Capacity	0.4m ³	Max. digging depth	4015 mm
Rotation Speed	0-12rpm	Vertical digging depth	3550 mm
Max. Climbing	35°	Max. digging radius	6540 mm
Bucket Max. digging force	58 KN	Min. turning radius	2140 mm
Rod Max. Digging force	40 KN	Cabin height	2630 mm
Engine Model	Cummins QSF2.8	Wheel base	2209 mm
System Pressure	27.5 MPA	Min. clearance to ground	375 mm
Max. digging height	7050 mm	Tail turning radius	1813 mm





HX135 MIDI Excavator

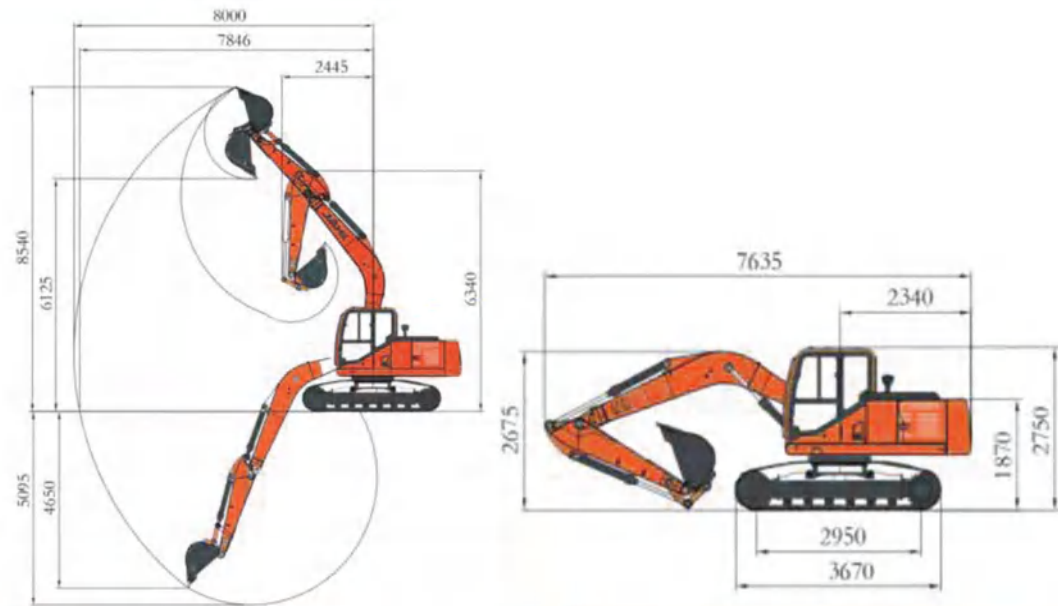
We are the factory direct

Powerful engines and perfectly matched hydraulics make tough jobs more efficient

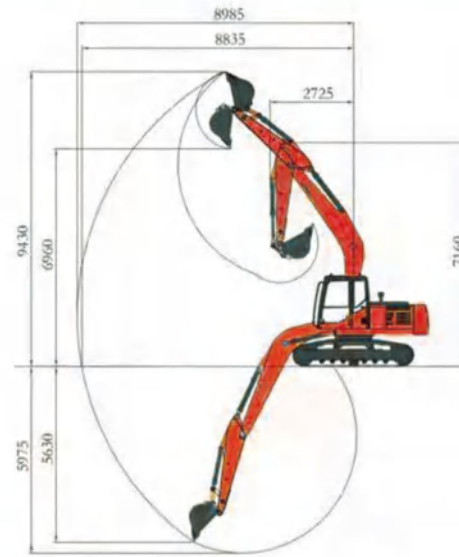


PRODUCT PARAMETERS

Model	HX135	Max. dumping height	6125 mm
Bucket Capacity	0.6m ³	Max. digging depth	5095 mm
Rotation Speed	0-12rpm	Vertical digging depth	4650 mm
Max. Climbing	30°	Max. digging radius	6182 mm
Bucket Max. digging force	91 KN	Min. turning radius	2440 mm
Rod Max. Digging force	55 KN	Cabin height	2750 mm
Engine Model	ISUZU 4JJ1	Wheel base	2950 mm
System Pressure	32 MPA	Min. clearance to ground	400 mm
Max. digging height	8540 mm	Tail turning radius	2340 mm



HX180 MIDI Excavator



We are the factory direct

Powerful engines and perfectly matched hydraulics make tough jobs more efficient



PRODUCT PARAMETERS

Model	HX180	Max. dumping height	6960 mm
Bucket Capacity	0.8m ³	Max. digging depth	5975 mm
Rotation Speed	0-12rpm	Vertical digging depth	5630 mm
Max. Climbing	30°	Max. digging radius	8985 mm
Bucket Max. digging force	98 KN	Min. turning radius	2725 mm
Rod Max. Digging force	68 KN	Cabin height	2920 mm
Engine Model	QSF38-C125	Wheel base	3200 mm
System Pressure	32 MPA	Min. clearance to ground	480 mm
Max. digging height	9430 mm	Tail turning radius	2430 mm



HX230 MIDI Excavator



We are the factory direct

Powerful engines and perfectly matched hydraulics make tough jobs more efficient



PRODUCT PARAMETERS

Model	HX230	Max. dumping height	6730 mm
Bucket Capacity	1.1m ³	Max. digging depth	6480 mm
Rotation Speed	0-13rpm	Vertical digging depth	5925 mm
Max. Climbing	30°	Max. digging radius	9850 mm
Bucket Max. digging force	140 KN	Min. turning radius	3555 mm
Rod Max. Digging force	99 KN	Wheel base	3185 mm
Engine Model	Cummins QSB7	Wheel track	2490 mm
System Pressure	34 MPA	Min. clearance to ground	470 mm
Max. digging height	9410 mm	Tail turning radius	2880 mm

